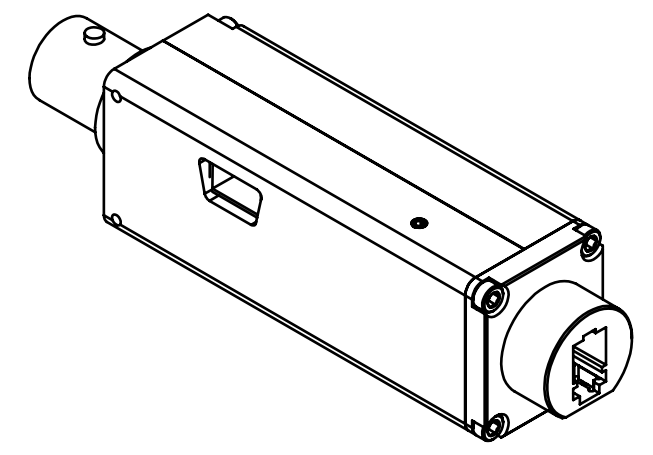
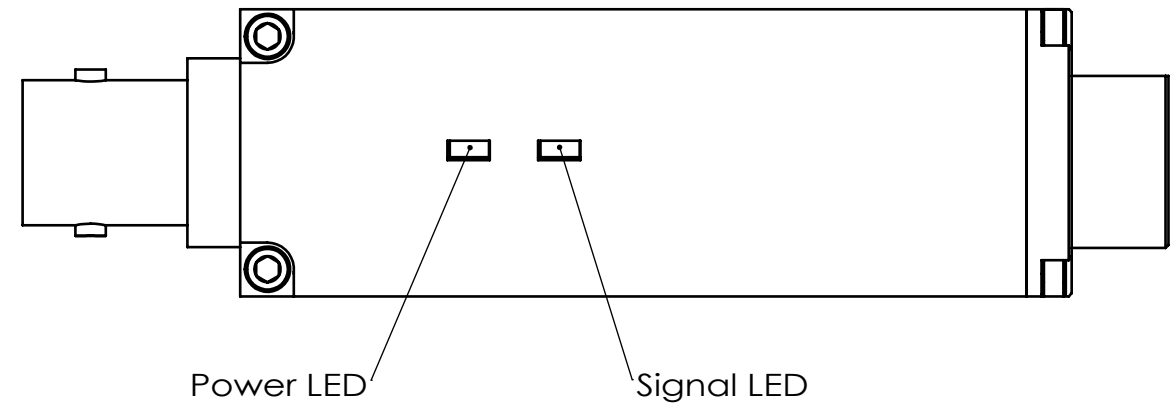
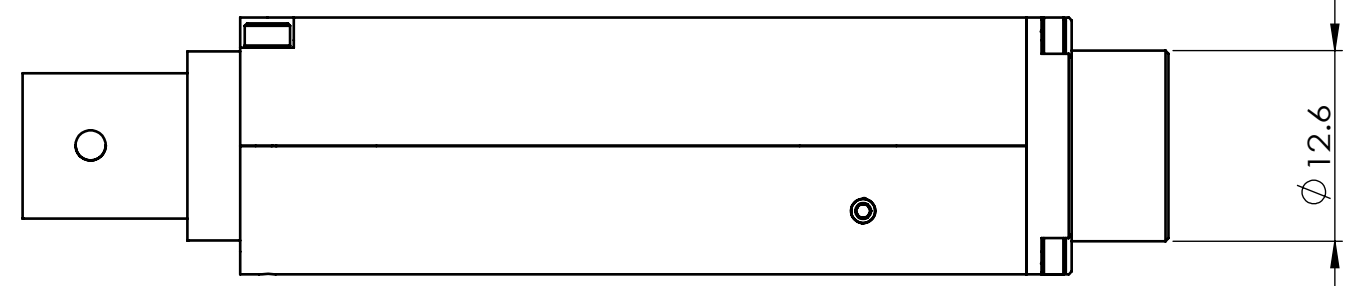
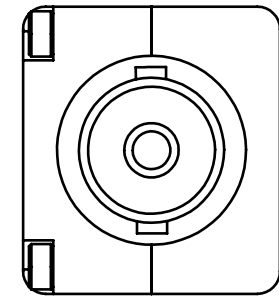
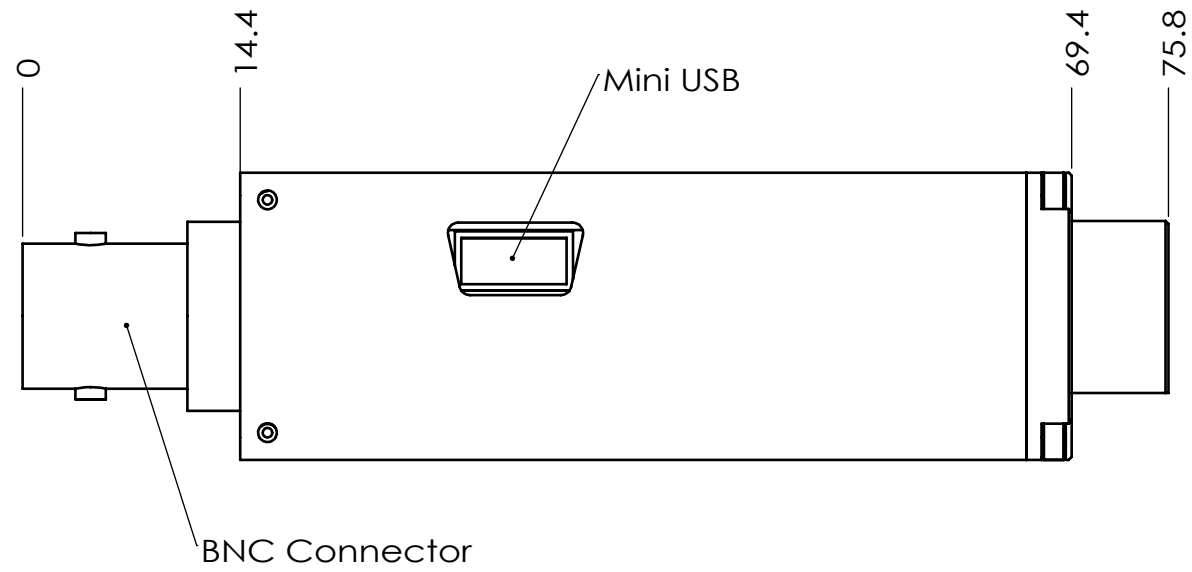
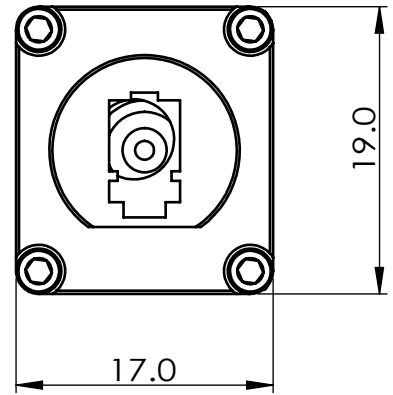


8 7 6 5 4 3 2 1

D  
C  
B  
A



PROPRIETARY AND CONFIDENTIAL  
 THE INFORMATION CONTAINED IN THIS  
 DRAWING IS THE SOLE PROPERTY OF  
 PRINCETEL, INC. ANY REPRODUCTION  
 IN PART OR AS A WHOLE WITHOUT THE  
 WRITTEN PERMISSION OF PRINCETEL,  
 INC. IS PROHIBITED.

UNLESS OTHERWISE SPECIFIED:  
 DIMENSIONS ARE IN mm  
 TOLERANCES:  
 ANGULAR:  $\pm 1/2^\circ$   
 ONE PLACE DECIMAL  $\pm 0.100$   
 TWO PLACE DECIMAL  $\pm 0.050$   
 THREE PLACE DECIMAL  $\pm 0.025$   
 MATERIAL:

	DATE	NAME
DRAWN	6/7/2013	L. X.
CHECKED	6/7/2013	R. Z.
ENG APPR.		
MFG APPR.		
Q.A.		
COMMENTS: FIRST ANGLE PROJECTION		

PRINCETEL, INC.		
TITLE: HD Video Fiber Extender		
SIZE	DWG. NO.	REV
<b>B</b>	39-00-HDL	1.0
PART NO.		SHEET 1 OF 1

8 7 6 5 4 3 2 1