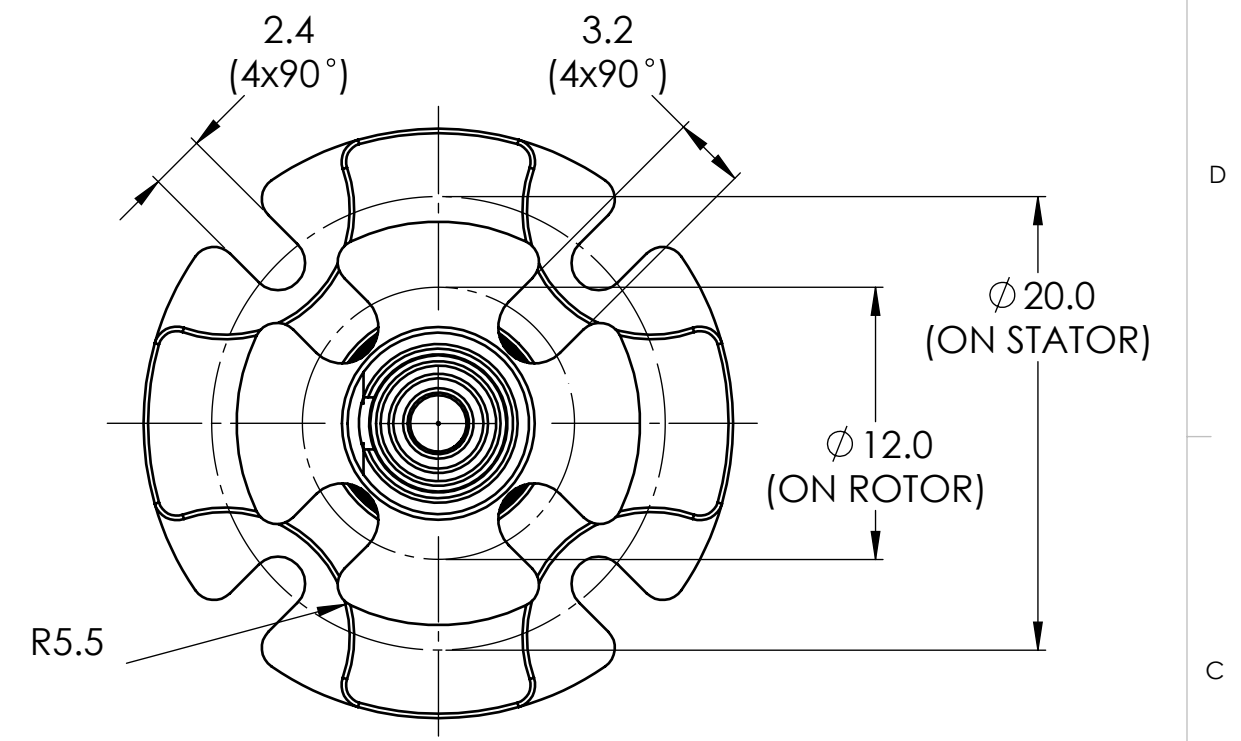
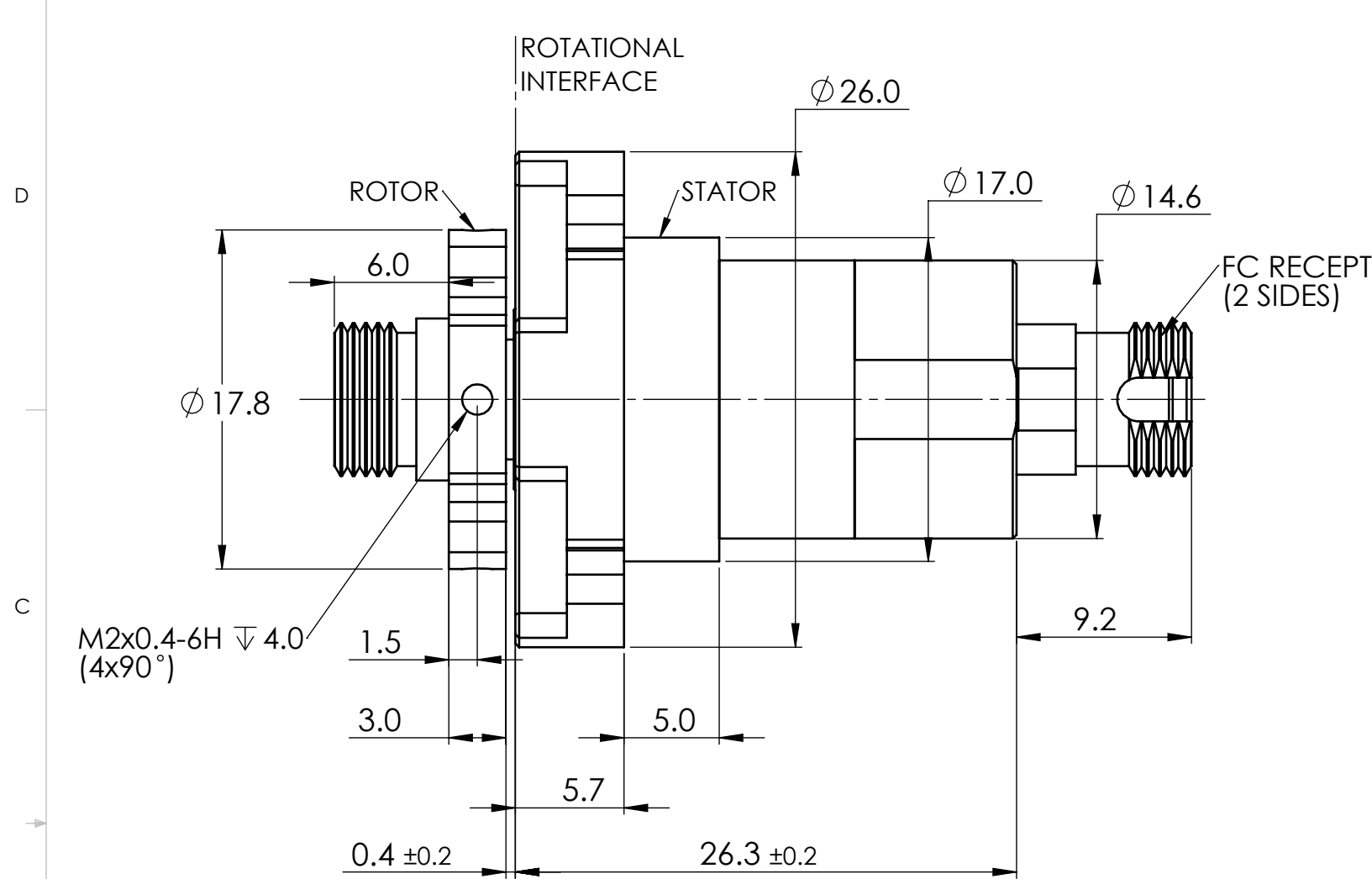
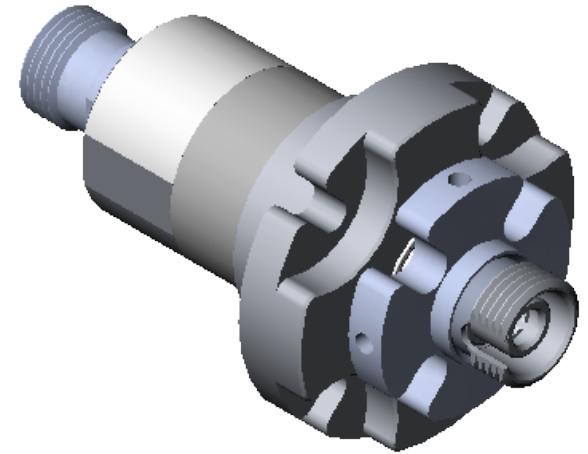


8 7 6 5 4 3 2 1



Note: More options available upon request.



STANDARD SPECIFICATIONS

PARAMETERS	VALUES
Wavelength range	650-1650 nm
Insertion loss	<3 dB
Insertion loss ripple	<+/-0.25 dB (typical: +/-0.15 dB)
Return loss (SM)	>30 dB
Maximum speed	2,000 rpm
Estimated life cycle	>500 million revolutions (1,000 rpm/365 days continuous)
Working temperature	-40 to 85 C
Storage temperature	-50 to 85 C
Package style	FC receptacles
Housing material	Stainless steel
Fiber types	Single or multimode
Vibration	MIL-STD-167-1A
Mechanical shock	MIL-STD-810G
IP rating	IP 68

UNLESS OTHERWISE SPECIFIED:

DIMENSIONS ARE IN mm
DO NOT SCALE DRAWING

TOLERANCES:
ANGULAR: ± 1/2°
ONE PLACE DECIMAL ± 0.100
TWO PLACE DECIMAL ± 0.050
THREE PLACE DECIMAL ± 0.025

MATERIAL:

	DATE	NAME
DRAWN	5/27/2016	L. X.
CHECKED	5/27/2016	R. Z.
ENG APPR.		
MFG APPR.		
Q.A.		

PRINCETEL, INC.

TITLE:
RFC,FORJ

COMMENTS: FIRST ANGLE PROJECTION

SIZE	DWG. NO.	REV
B	1074-00-AD	2
PART NO.	-	SHEET 1 OF 1

PROPRIETARY AND CONFIDENTIAL
THE INFORMATION CONTAINED IN THIS DRAWING IS THE SOLE PROPERTY OF PRINCETEL, INC. ANY REPRODUCTION IN PART OR AS A WHOLE WITHOUT THE WRITTEN PERMISSION OF PRINCETEL, INC. IS PROHIBITED.

8 7 6 5 4 3 2 1