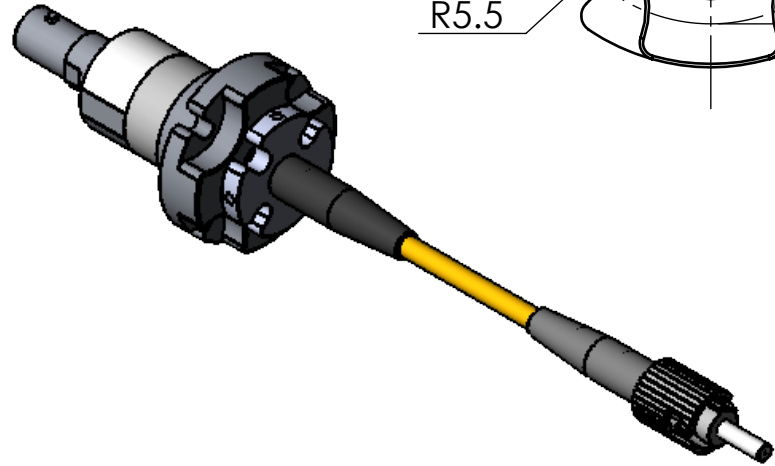
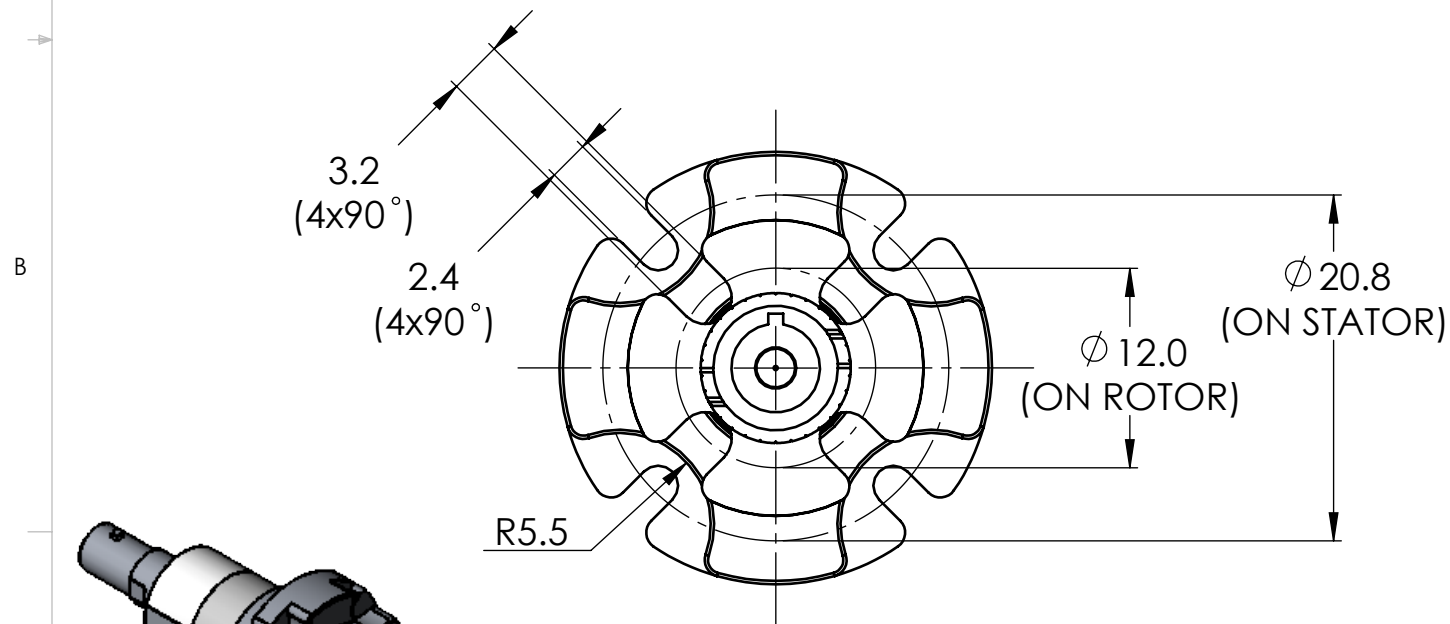


Note: More options available upon request.



**PROPRIETARY AND CONFIDENTIAL**  
 THE INFORMATION CONTAINED IN THIS DRAWING IS THE SOLE PROPERTY OF PRINCETEL, INC. ANY REPRODUCTION IN PART OR AS A WHOLE WITHOUT THE WRITTEN PERMISSION OF PRINCETEL, INC. IS PROHIBITED.

| STANDARD SPECIFICATIONS |  |
|-------------------------|--|
| PARAMETERS              | VALUES   |
| Wavelength range        | 650-1650 nm  |
| Insertion loss          | <3 dB  |
| Insertion loss ripple   | <+/-0.25 dB (typical: +/-0.15 dB)                        |
| Return loss (SM)        | >40 dB   |
| Maximum speed           | 2,000 rpm  |
| Estimated life cycle    | >500 million revolutions (1,000 rpm/365 days continuous) |
| Working temperature     | -40 to 85 C  |
| Storage temperature     | -50 to 85 C  |
| Package style           | ST receptacle and Pigtails on rotor end                  |
| Housing material        | Stainless steel  |
| Fiber types             | Single or multimode                                      |
| Jacket types            | 900um, 2mm, 3 mm   |
| Connector types         | ST, FC, LC, SC (PC and APC)                              |
| Vibration               | MIL-STD-167-1A   |
| Mechanical shock        | MIL-STD-810G   |
| IP rating               | IP 68  |

UNLESS OTHERWISE SPECIFIED:

DIMENSIONS ARE IN mm  
 DO NOT SCALE DRAWING

TOLERANCES:  
 ANGULAR: ± 1/2°  
 ONE PLACE DECIMAL ± 0.100  
 TWO PLACE DECIMAL ± 0.050  
 THREE PLACE DECIMAL ± 0.025

MATERIAL:

| DRAWN                            |           | DATE  | NAME      | PRINCETEL, INC. |
|----------------------------------|-----------|-------|-----------|-----------------|
| DRAWN                            | 5/27/2016 | L. X. |           |                 |
| CHECKED                          | 5/27/2016 | R. Z. | TITLE:    |                 |
| ENG APPR.                        |           |       | RPS, FORJ |                 |
| MFG APPR.                        |           |       |           |                 |
| COMMENTS: FIRST ANGLE PROJECTION |           |       |           | SIZE            |
|                                  |           |       |           | DWG. NO.        |
|                                  |           |       |           | REV             |
| PART NO.                         |           |       |           | 1071-00-62      |
|                                  |           |       |           | SHEET 1 OF 1    |