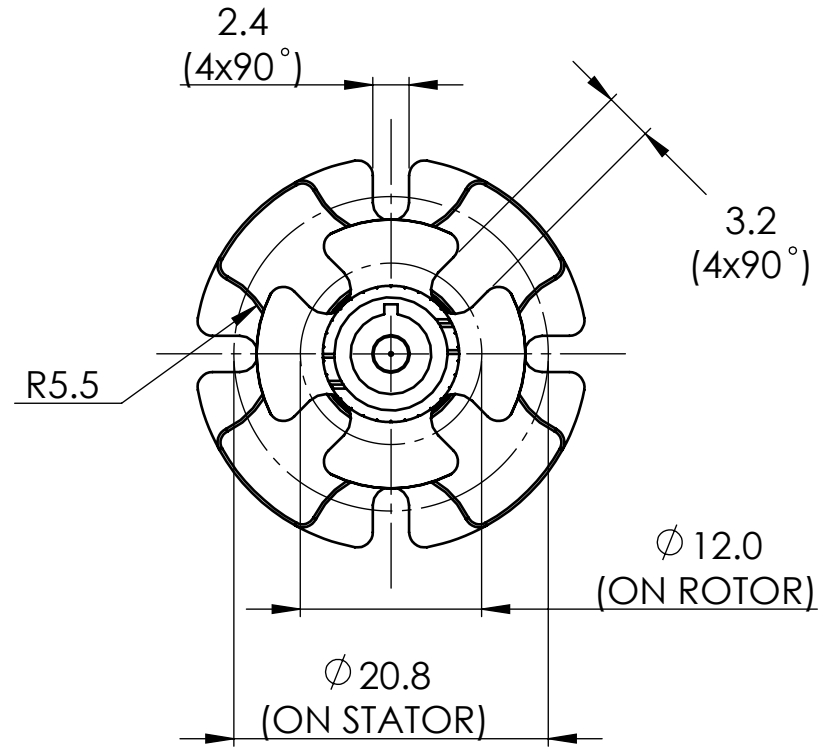


Note: More options available upon request.

STANDARD SPECIFICATIONS	
PARAMETERS	VALUES
Wavelength range	650-1650 nm
Insertion loss	<2 dB (typical: <0.5 dB)
Insertion loss ripple	<+/-0.25 dB (typical: +/-0.15 dB)
Return loss (SM)	>40 dB (RPT), >55 dB (RPTA)
Maximum speed	2,000 rpm
Estimated life cycle	>500 million revolutions (1,000 rpm/365 days continous)
Working temperature	-40 to 85 C
Storage temperature	-50 to 85 C
Package style	Pigtails on both ends
Housing material	Stainless steel
Fiber types	Single or multimode
Jacket types	900um, 2mm, 3 mm
Connector types	ST, FC, LC, SC (PC and APC)
Vibration	MIL-STD-167-1A
Mechanical shock	MIL-STD-810G
IP rating	IP 68



PROPRIETARY AND CONFIDENTIAL
 THE INFORMATION CONTAINED IN THIS DRAWING IS THE SOLE PROPERTY OF PRINCETEL, INC. ANY REPRODUCTION IN PART OR AS A WHOLE WITHOUT THE WRITTEN PERMISSION OF PRINCETEL, INC. IS PROHIBITED.

UNLESS OTHERWISE SPECIFIED:

DIMENSIONS ARE IN mm
 DO NOT SCALE DRAWING

TOLERANCES:
 ANGULAR: ± 1/2°
 ONE PLACE DECIMAL ± 0.100
 TWO PLACE DECIMAL ± 0.050
 THREE PLACE DECIMAL ± 0.025

MATERIAL:

UNLESS OTHERWISE SPECIFIED:		DATE	NAME	PRINCETEL, INC.
DRAWN	9/11/2015	L. X.	TITLE:	
CHECKED	9/11/2015	R. Z.	RPT, FOR J	
ENG APPR.				
MFG APPR.				
COMMENTS: FIRST ANGLE PROJECTION				SIZE
				DWG. NO.
				REV
PART NO.				1071-RPT-AD
				2
				SHEET 1 OF 1