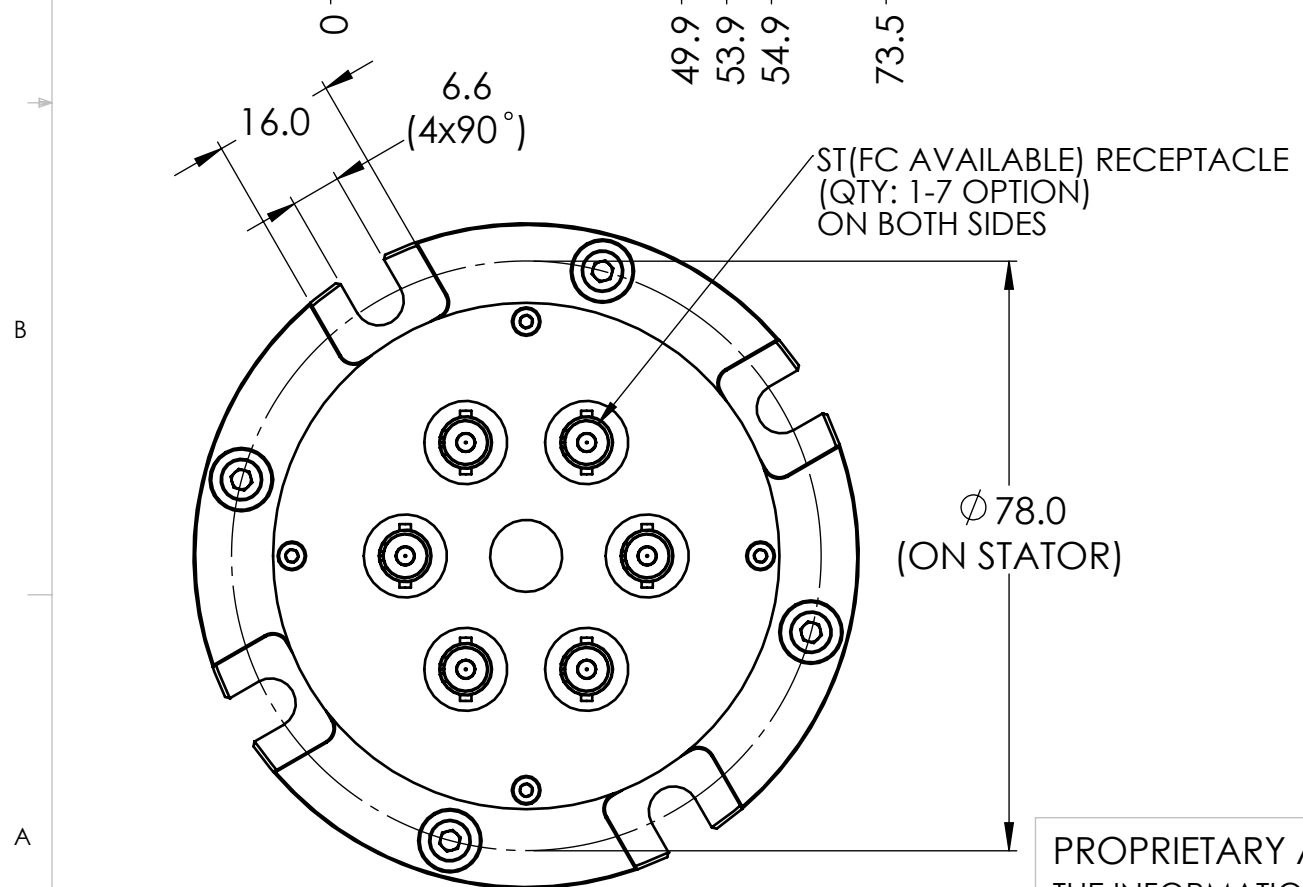


NOTE: MORE OPTIONS AVAILABLE UPON REQUEST.



STANDARD SPECIFICATIONS	
PARAMETERS	VALUES
WAVELENGTH RANGE	1270-1610 nm FOR SM; 850 AND 1310 nm FOR MM
INSERTION LOSS	<5 DB (TYPICAL: 2-3 DB)
INSERTION LOSS RIPPLE	~+/-0.5 TO 1 DB
RETURN LOSS	45 DB
CROSSTALK	>50 DB (TYPICAL: 63 DB)
MAXIMUM SPEED	200 RPM
ESTIMATED LIFE CYCLE	100 MILLION REVOLUTIONS
WORKING TEMPERATURE	-20 TO 65 C
STORAGE TEMPERATURE	-25 TO 75 C
PACKAGE STYLE	RECEPTACLES(FC OR ST; UP TO 7 CHANNELS)
HOUSING MATERIAL	STAINLESS STEEL
FIBER TYPES	SINGLE OR MULTIMODE
VIBRATION	MIL-STD-167-1
MECHANICAL SHOCK	MIL-STD-810F
IP RATING	IP65: FORJ BODY ONLY; IP60: RECEPTACLE EXTENSIONS

UNLESS OTHERWISE SPECIFIED:			DATE			NAME		
DIMENSIONS ARE IN mm DO NOT SCALE DRAWING			DRAWN	10/12/2015	L. X.	<b>PRINCETEL, INC.</b> TITLE: JXnST(FC) RECEPTACLE, FORJ		
TOLERANCES:			CHECKED	10/29/2018	R. Z.			
ANGULAR: $\pm 1/2^\circ$			ENG APPR.					
ONE PLACE DECIMAL $\pm 0.100$			MFG APPR.					
TWO PLACE DECIMAL $\pm 0.050$			Q.A.					
THREE PLACE DECIMAL $\pm 0.025$			COMMENTS: FIRST ANGLE PROJECTION			SIZE	DWG. NO.	REV
MATERIAL:						<b>B</b>	JXnST(FC)-AD	3
			PART NO.			-	SHEET 1 OF 1	

PROPRIETARY AND CONFIDENTIAL  
 THE INFORMATION CONTAINED IN THIS  
 DRAWING IS THE SOLE PROPERTY OF  
 PRINCETEL, INC. ANY REPRODUCTION  
 IN PART OR AS A WHOLE WITHOUT THE  
 WRITTEN PERMISSION OF PRINCETEL,  
 INC. IS PROHIBITED.

REVISIONS			
REV.	ZONE	DESCRIPTION	DATE APP.
3		CORRECT IP RATE	10/29/18 B.Z.