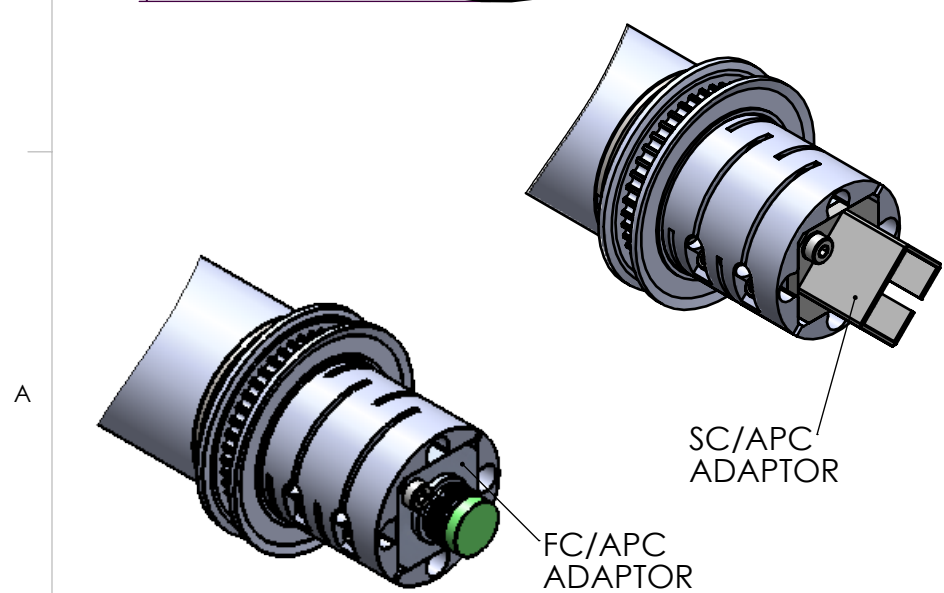
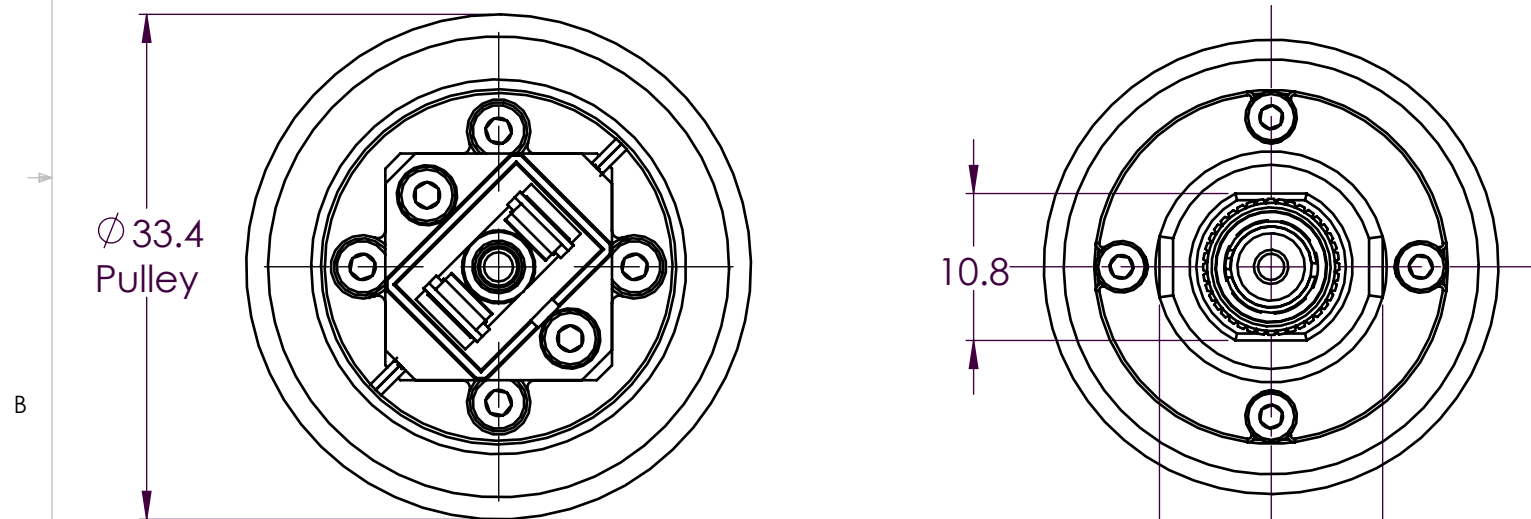


Note: More options available upon request.



PROPRIETARY AND CONFIDENTIAL
THE INFORMATION CONTAINED IN THIS DRAWING IS THE SOLE PROPERTY OF PRINCETEL, INC. ANY REPRODUCTION IN PART OR AS A WHOLE WITHOUT THE WRITTEN PERMISSION OF PRINCETEL, INC. IS PROHIBITED.

STANDARD SPECIFICATIONS	
PARAMETERS	VALUES
Wavelength range	1310, 1550 nm, or both (850, 1310 nm, or both)
Insertion loss	<2 dB (typical: <1 dB)
Insertion loss ripple	<+/-0.5 dB
Return loss (SM)	>55 dB (MJPP: >60dB)
Estimated life cycle	>500 million revolutions (1,000 rpm/365 days continuous)
Working temperature	-20 to 65 C
Storage temperature	-25 to 75 C
Package style	Pigtails on stator, SC/APC or FC/APC Adaptor on rotor
Housing material	Stainless steel
Fiber types	Single or multimode
Jacket types	900um, 2mm, 3 mm
Connector types	ST, FC, LC, SC (PC and APC)
Vibration	MIL-STD-167-1A
Mechanical shock	MIL-STD-810G
IP rating	IP 50

UNLESS OTHERWISE SPECIFIED:			PRINCETEL, INC.			
DRAWN	DATE	NAME	TITLE: MJP-SAPB(FAPB), FORJ BELT DRIVE			
CHECKED	9/7/2017	L. X.				
ENG APPR.		R. Z.				
MFG APPR.						
Q.A.						
DIMENSIONS ARE IN mm DO NOT SCALE DRAWING			COMMENTS: FIRST ANGLE PROJECTION	SIZE	DWG. NO.	REV
TOLERANCES: ANGULAR: ± 1/2° ONE PLACE DECIMAL ± 0.100 TWO PLACE DECIMAL ± 0.050 THREE PLACE DECIMAL ± 0.025				B	186-200-AD2	3
MATERIAL:				PART NO.	-	SHEET 1 OF 1