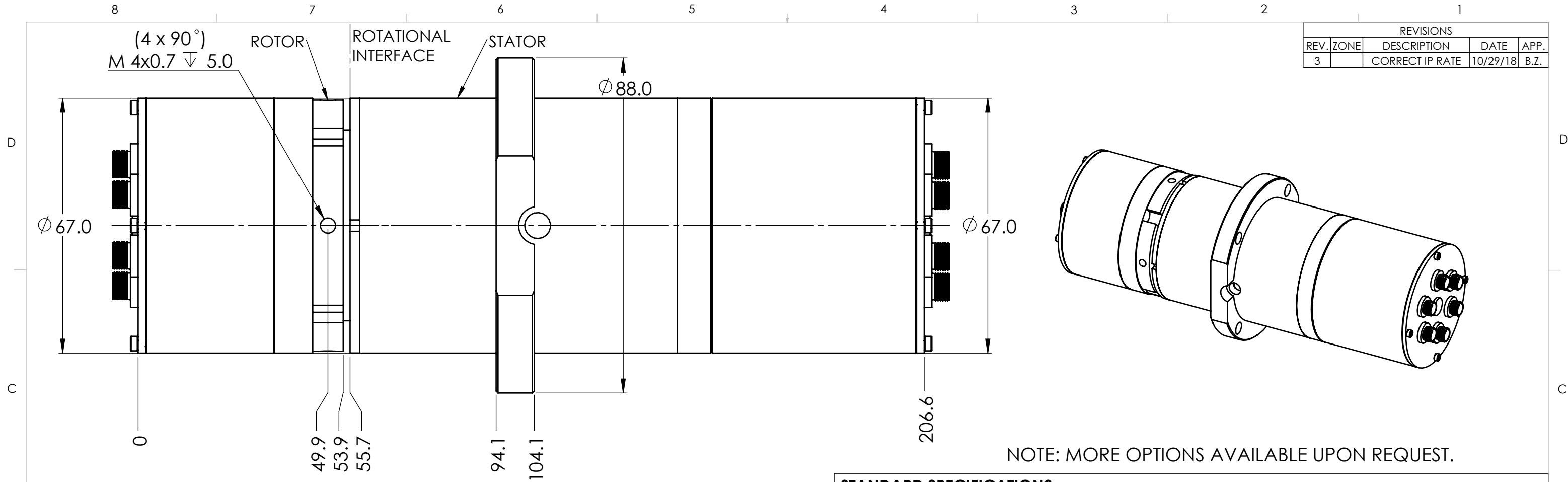
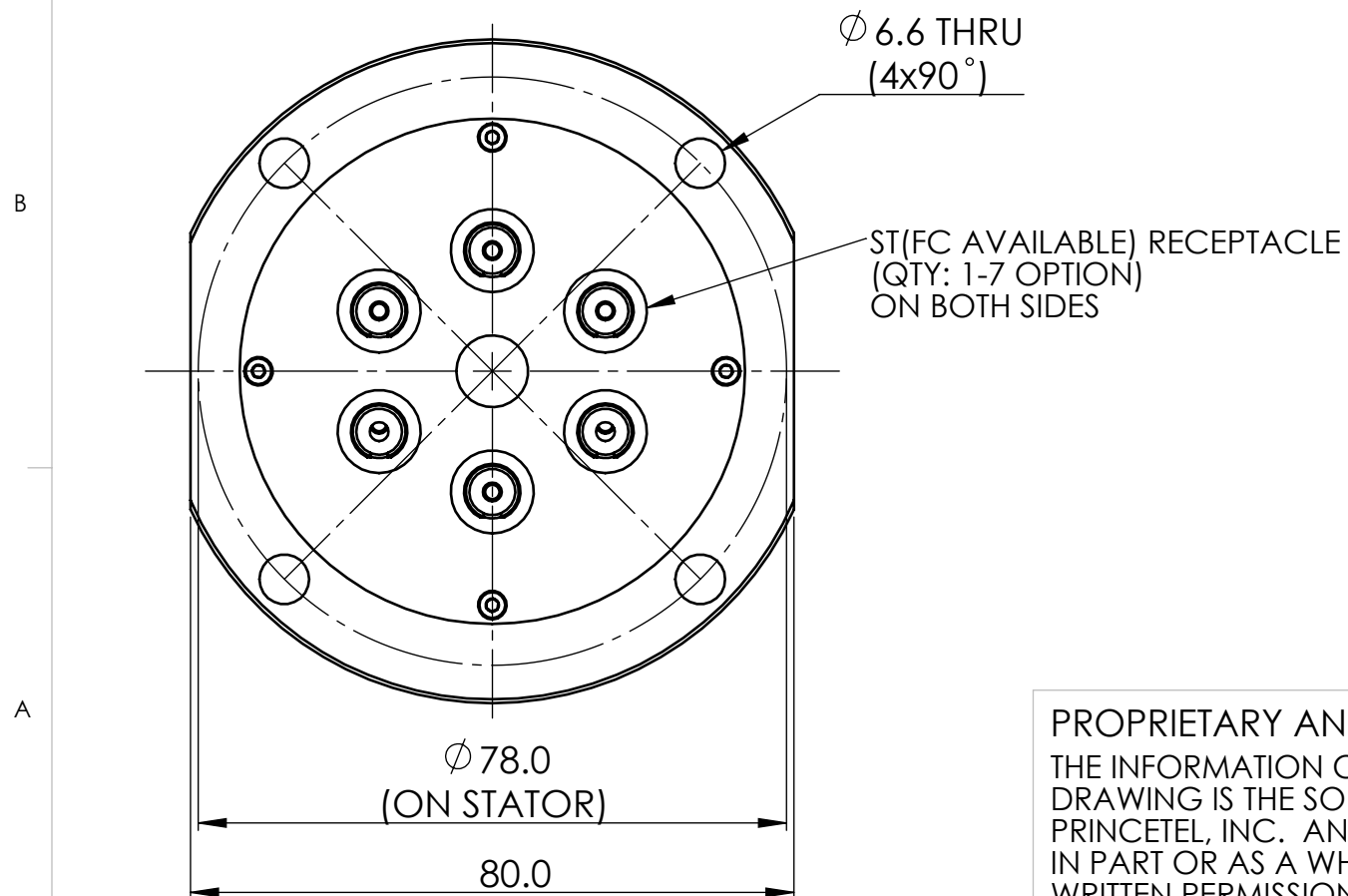


REVISIONS				
REV.	ZONE	DESCRIPTION	DATE	APP.
3		CORRECT IP RATE	10/29/18	B.Z.



NOTE: MORE OPTIONS AVAILABLE UPON REQUEST.



PROPRIETARY AND CONFIDENTIAL
 THE INFORMATION CONTAINED IN THIS
 DRAWING IS THE SOLE PROPERTY OF
 PRINCETEL, INC. ANY REPRODUCTION
 IN PART OR AS A WHOLE WITHOUT THE
 WRITTEN PERMISSION OF PRINCETEL,
 INC. IS PROHIBITED.

STANDARD SPECIFICATIONS	
PARAMETERS	VALUES
WAVELENGTH RANGE	1270-1610 nm FOR SM; 850 AND 1310 nm FOR MM
INSERTION LOSS	<5 DB (TYPICAL: 2-3 DB)
INSERTION LOSS RIPPLE	~+/-0.5 TO 1 DB
RETURN LOSS	>45 DB
CROSSTALK	>50 DB (TYPICAL: 63 DB)
MAXIMUM SPEED	200 RPM
ESTIMATED LIFE CYCLE	100 MILLION REVOLUTIONS
WORKING TEMPERATURE	-20 TO 65 C
STORAGE TEMPERATURE	-25 TO 75 C
PACKAGE STYLE	RECEPTACLES(FC OR ST; UP TO 7 CHANNELS)
HOUSING MATERIAL	STAINLESS STEEL
FIBER TYPES	SINGLE OR MULTIMODE
VIBRATION	MIL-STD-167-1A
MECHANICAL SHOCK	MIL-STD-810G
IP RATING	IP65: FORJ BODY ONLY; IP60: RECEPTACLE EXTENSIONS

UNLESS OTHERWISE SPECIFIED:
 DIMENSIONS ARE IN mm
 DO NOT SCALE DRAWING

TOLERANCES:
 ANGULAR: ± 1/2°
 ONE PLACE DECIMAL ± 0.100
 TWO PLACE DECIMAL ± 0.050
 THREE PLACE DECIMAL ± 0.025

MATERIAL:

DRAWN	DATE	NAME	PRINCETEL, INC. TITLE: MJnFC(ST) RECEPTACLE, FORJ
CHECKED	10/29/2018	R. Z.	
ENG APPR.			
MFG APPR.			
Q.A.			
COMMENTS: FIRST ANGLE PROJECTION			SIZE B DWG. NO. MJnFC(ST)-AD REV 3
			PART NO. - SHEET 1 OF 1