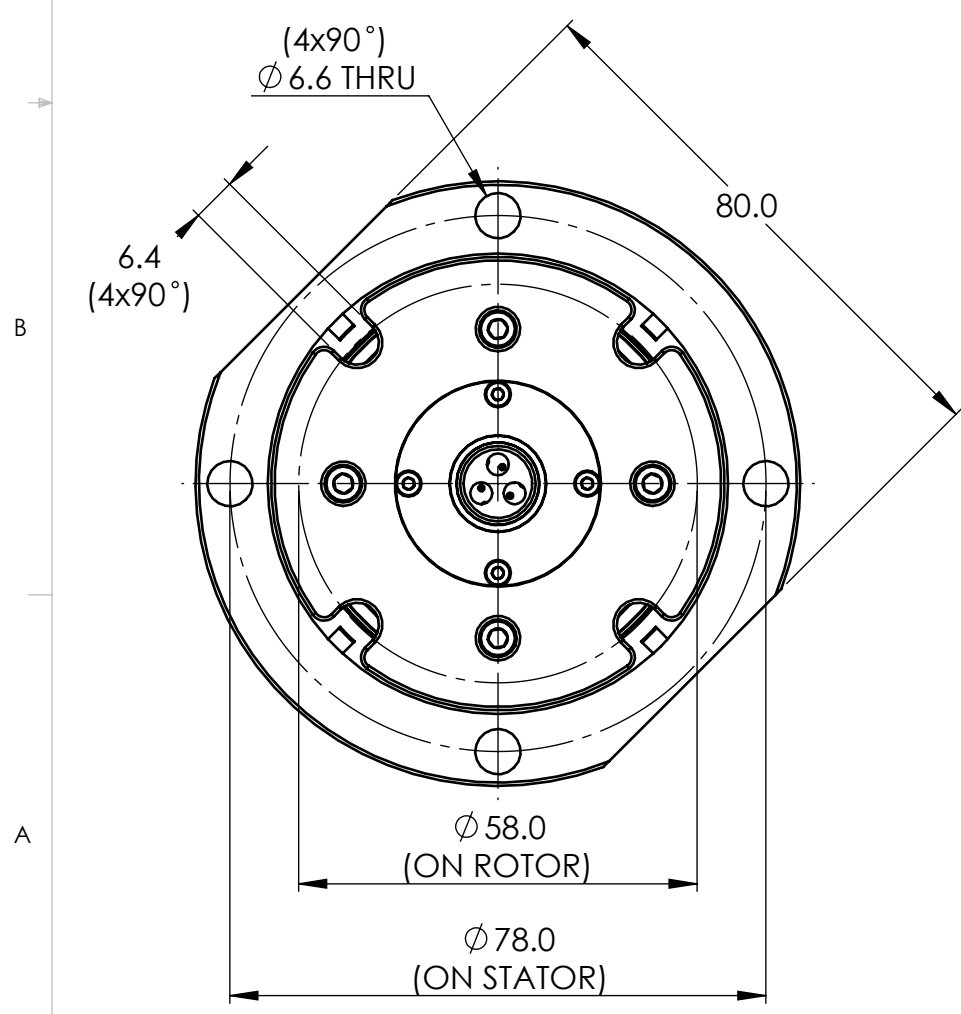


Note: More options available upon request.



PROPRIETARY AND CONFIDENTIAL
 THE INFORMATION CONTAINED IN THIS
 DRAWING IS THE SOLE PROPERTY OF
 PRINCETEL, INC. ANY REPRODUCTION
 IN PART OR AS A WHOLE WITHOUT THE
 WRITTEN PERMISSION OF PRINCETEL,
 INC. IS PROHIBITED.

STANDARD SPECIFICATIONS	
PARAMETERS	VALUES
Wavelength range	1270-1610 nm for SM; 850 and 1310 nm for MM
Insertion loss	<5 dB (typical: 2-3 dB)
Insertion loss ripple	~+/-0.5 to 1 dB
Return loss	>45 dB
Crosstalk	>50 dB (typical: 63 dB)
Maximum speed	200 rpm
Estimated life cycle	100 million revolutions
Working temperature	-20 to 65 C
Storage temperature	-25 to 75 C
Package style	Pigtails on both ends
Housing material	Stainless steel
Fiber types	Single or multimode
Jacket types	900um, 2mm, 3 mm (Kevlar reinforced)
Connector types	ST, FC, SC, SMA, LC (PC and APC)
Vibration	MIL-STD-167-1A
Mechanical shock	MIL-STD-810G
IP rating	Up to IP 65

UNLESS OTHERWISE SPECIFIED:
 DIMENSIONS ARE IN mm
 DO NOT SCALE DRAWING

TOLERANCES:
 ANGULAR: ± 1/2°
 ONE PLACE DECIMAL ± 0.100
 TWO PLACE DECIMAL ± 0.050
 THREE PLACE DECIMAL ± 0.025

MATERIAL:

DRAWN	DATE	NAME	PRINCETEL, INC.
CHECKED	10/12/2015	L. X.	
ENG APPR.	10/12/2015	R. Z.	
MFG APPR.			
Q.A.			
COMMENTS: FIRST ANGLE PROJECTION			TITLE:
			MJn(2-7),FORJ
SIZE	DWG. NO.	REV	
B	1018-00-AD	8	
PART NO.	-	SHEET 1 OF 1	