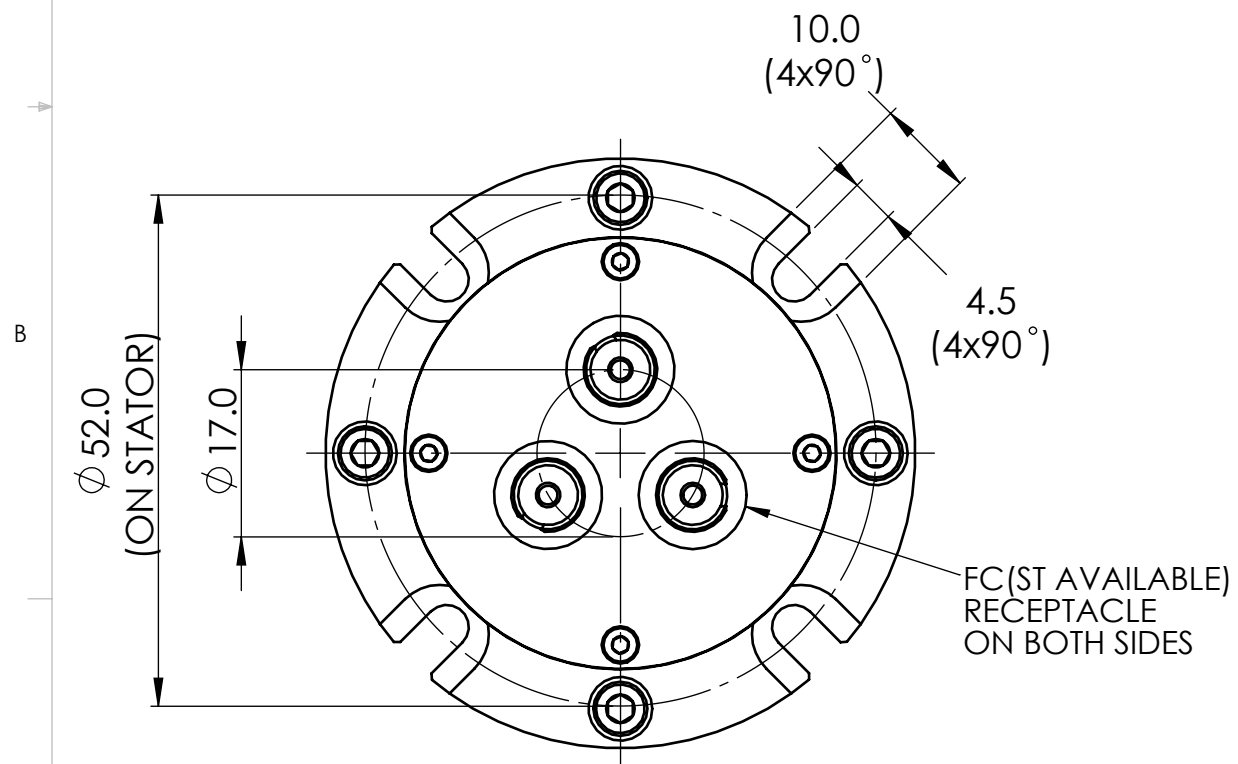


NOTE: MORE OPTIONS AVAILABLE UPON REQUEST.



STANDARD SPECIFICATIONS	
PARAMETERS	VALUES
WAVELENGTH RANGE	1270-1610 nm FOR SM; 850 AND 1310 nm FOR MM
INSERTION LOSS	<5.5 DB
INSERTION LOSS RIPPLE	~+/-0.5 TO 1 DB
RETURN LOSS (SM)	>45 DB
CROSSTALK	>50 DB (TYPICAL: 63 DB)
MAXIMUM SPEED	300 RPM
ESTIMATED LIFE CYCLE	100-200 MILLION REVOLUTIONS
WORKING TEMPERATURE	-20 TO 65 C
STORAGE TEMPERATURE	-25 TO 75 C
PACKAGE STYLE	RECEPTACLES (FC OR ST; UP TO 3 CHANNELS)
HOUSING MATERIAL	STAINLESS STEEL
FIBER TYPES	BENDBRIGHT FIBER ONLY, SM/ MM 50/ MM62
VIBRATION	MIL-STD-167-1
MECHANICAL SHOCK	MIL-STD-810F
IP RATING	IP65: FORJ BODY ONLY; IP60: RECEPTACLE EXTENSIONS

UNLESS OTHERWISE SPECIFIED:

DIMENSIONS ARE IN mm
DO NOT SCALE DRAWING

TOLERANCES:
ANGULAR: $\pm 1/2^\circ$
ONE PLACE DECIMAL ± 0.100
TWO PLACE DECIMAL ± 0.050
THREE PLACE DECIMAL ± 0.025

MATERIAL:

DATE		NAME		PRINCETEL, INC.
DRAWN	10/29/2018	L. X.		
CHECKED	10/29/2018	R. Z.		MXnFC(ST) RECEPTACLE, FORJ
ENG APPR.				SIZE
MFG APPR.				DWG. NO.
Q.A.				REV
COMMENTS: FIRST ANGLE PROJECTION				PART NO.
				SHEET 1 OF 1

PROPRIETARY AND CONFIDENTIAL
THE INFORMATION CONTAINED IN THIS
DRAWING IS THE SOLE PROPERTY OF
PRINCETEL, INC. ANY REPRODUCTION
IN PART OR AS A WHOLE WITHOUT THE
WRITTEN PERMISSION OF PRINCETEL,
INC. IS PROHIBITED.

REVISIONS				
REV.	ZONE	DESCRIPTION	DATE	APP.
3		CORRECT IP RATE	10/29/18	B.Z.

8

7

6

5

4

3

2

1

A

A

D

D

C

C

B

B