

8

7

6

5

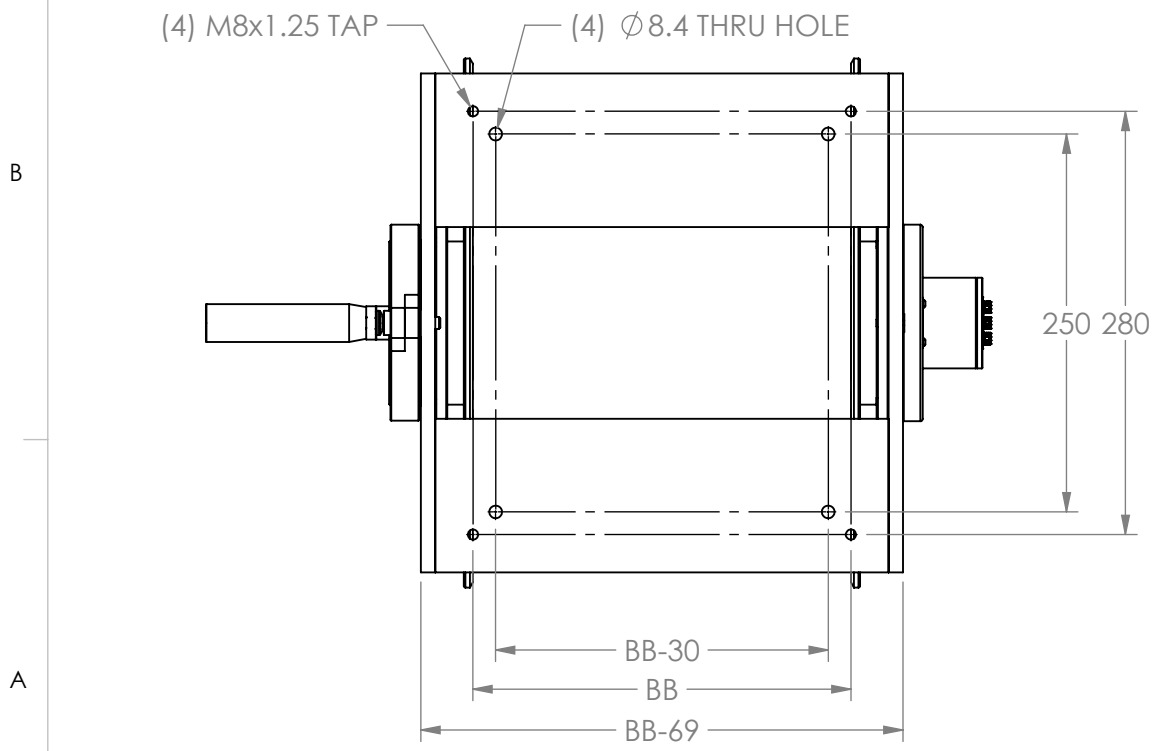
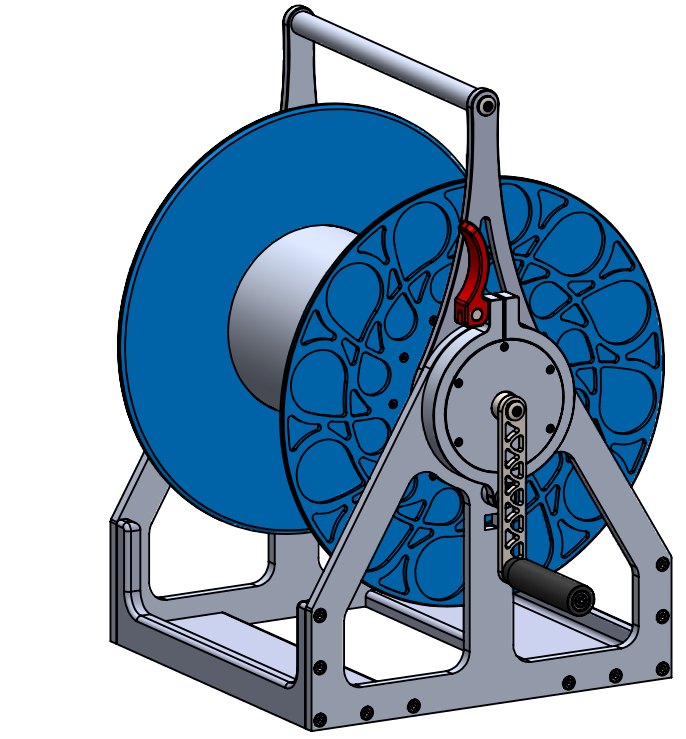
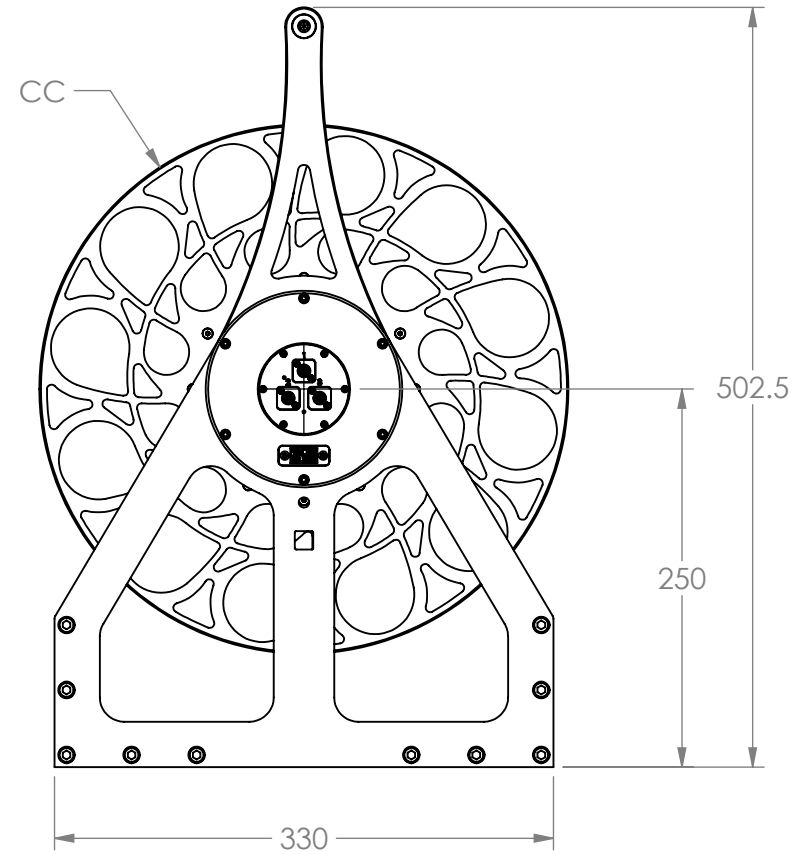
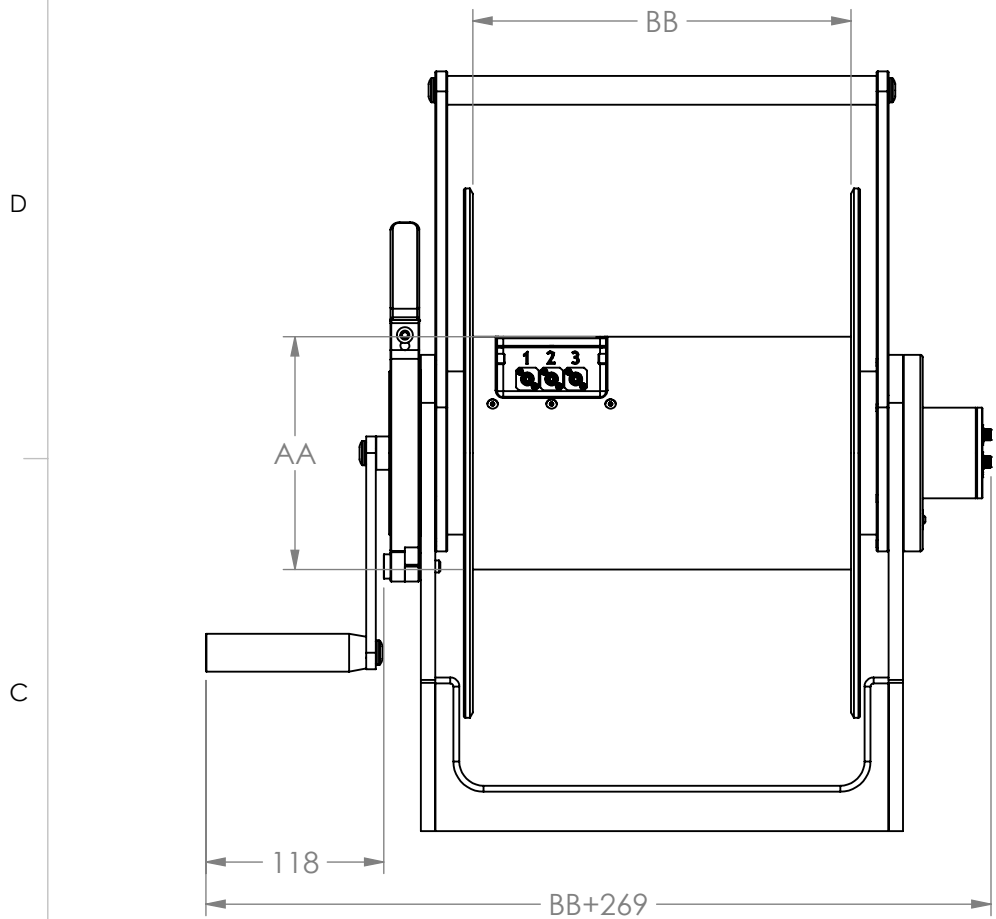
4

3

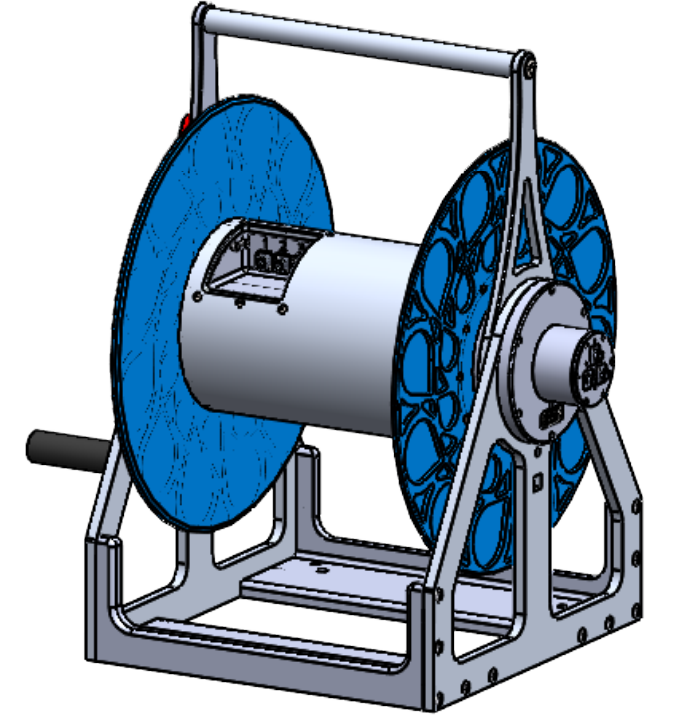
2

1

REVISIONS				
REV.	ZONE	DESCRIPTION	DATE	APPROVED



SIZE OPTIONS (50mm INCRIMENTS)	
AA	154mm
BB	150mm-350mm
CC	300mm-450mm
CABLE REEL OPTIONS	
DRIVE TYPE	1-HAND CRANK
BEARING TYPE	1-DELRIN, 2-BALL BEARING
DRAG BRAKE	1-NO BRAKE, 2-BRAKE
CARRY HANDLE	1-NO HANDLE, 2-HANDLE



NOTES:
 1. REEL CONFIGURATION SHOWN (FCR-152535-1222-JX3FC-SS): Ø 154mm x 250 WIDE DRUM, Ø 350mm SIDE PLATES, HAND CRANK, BALL BEARINGS, DRAG BRAKE, CARRY HANDLE, JX3FC-SS FOR J
 2. FOR J OPTIONS: RPT, RFC, JXN; 1-19 CHANNELS, WAVELENGTH & FIBER TYPE AS PER CUSTOMER REQUEST.
 3. SLIP RING OPTIONS: CONTACT FACTORY.

DIMENSIONS ARE IN MILLIMETERS
 TOLERANCES:
 ANGULAR: ± 1/2°
 ONE PLACE DECIMAL ± 0.100
 TWO PLACE DECIMAL ± 0.050
 THREE PLACE DECIMAL ± 0.025

PROPRIETARY AND CONFIDENTIAL
 THE INFORMATION CONTAINED IN THIS DRAWING IS THE SOLE PROPERTY OF PRINCETEL, INC. ANY REPRODUCTION IN PART OR AS A WHOLE WITHOUT THE WRITTEN PERMISSION OF PRINCETEL, INC. IS PROHIBITED.

DATE	NAME	PRINCETEL, INC.		
5/25/22	M.S.			
5/26/22	B.Z.			
DRAWN		TITLE:	FCR-1000 SERIES CABLE REEL	
CHECKED				
ENG APPR.				
MFG APPR.				
Q.A.				
THIRD ANGLE PROJECTION		SIZE	DWG. NO.	REV
		B	FCR-1000-AD	1
DRAWING SCALE: 1:5		PART NO.	SHEET 1 OF 1	
		FCR-1000-AD		

8

7

6

5

4

3

2

1

C:\PDM\Youth\PROJECTS\Cable Reel\Hand-Operated Cable Reel\Drawings\FCR-1000 Series Spec Drawing