



www.princetel.com

FCR-1000 Series Manual Cable Reel

Princetel offers a complete line of manual cable reels with integrated Fiber Optic Rotary Joints (FORJ's) and/or Electrical Slip Rings in a range of drum sizes to fit most applications. This simple to use reel can be used indoors or outdoors for a variety of applications such as robotics & ROVs, data communications, broadcasting, and tethered drones.

The FCR-1000 series cable reels are designed to fit our full line of standard FORJs and slip rings, protected inside the drum for durability and seamless deployment of single or multi-channel fiber optic/electrical cable with uninterrupted optical and/or electrical signal loss.

Features and Benefits:

- Constructed from rugged yet lightweight machined & anodized aluminum
- Corrosion resistant stainless-steel fasteners & FORJ
- IP-65 rated
- Operating temperature -20°C to +85°C
- Foldable and removable crank handle with side plate storage
- Simplified low maintenance design
- Snap-in FORJ drum connector shield to protect delicate fiber connections
- Multiple drum length/width/side plate diameter options to work with any size cable from 3-25mm diameter and 4000 meters long (depending on cable diameter)

Applications:

- ROV, diver communications, & marine recovery/deployment
- Military vehicle portable radar & vision systems
- Remote camera deployment
- Broadcast television & audio
- Tethered drones

Options:

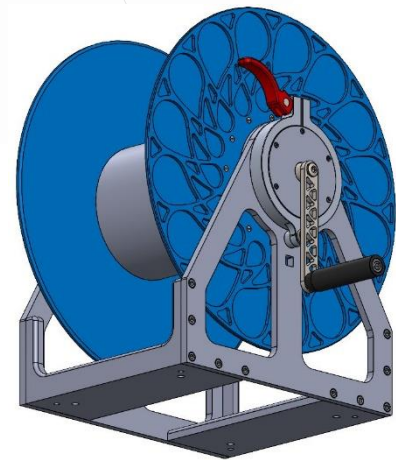
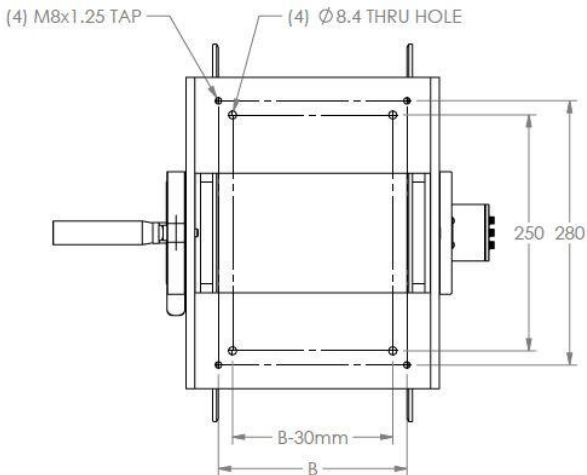
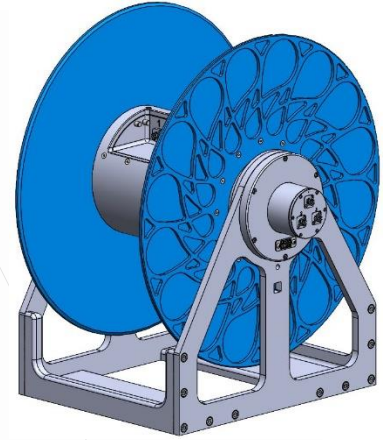
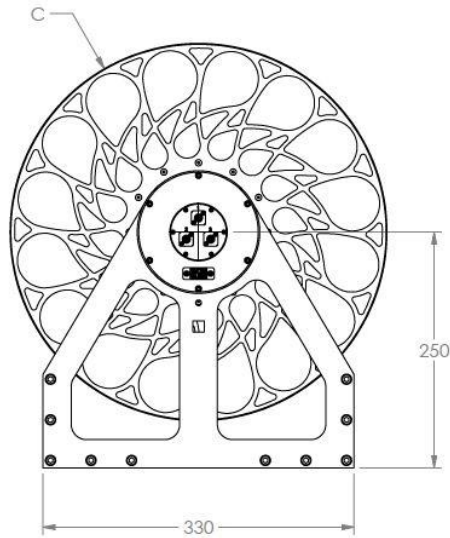
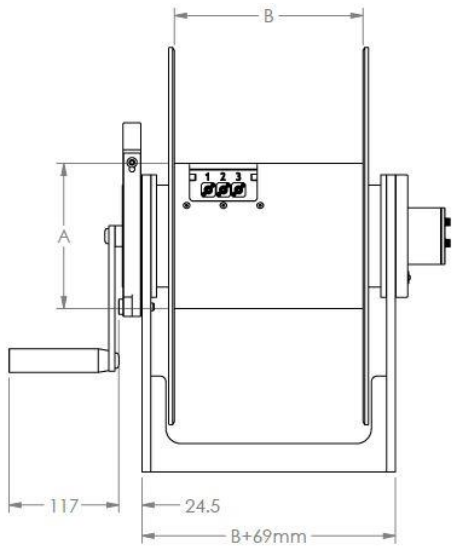
- Multi-channel FORJ (1-6 channel receptacle adapters or 1-19 channel pigtailed)
- Multi-circuit electrical slip ring
- Engineered plastic bearing or ball bearings
- Modular drag/locking drum brake
- Carry handle



(609) 588-8801

sales@princetel.com

www.princetel.com



Part number configurator: AA, BB, & CC in 50mm increments

FCR-AABBCC-DEFG-HHH

FCR = Fiber Cable Reel

AA = Drum Diameter (cm) ~ 15cm-20cm

BB = Drum length (cm) ~ 15cm-35cm

CC = Drum Side Plate Diameter (cm) ~ 30cm-45cm

D = Drive Type: 1=Hand Crank

E = Bearing: 1=Delrin Bearing 2=Ball Bearing

F = Drag Brake: 1=No Drag Brake 2=Drag Brake

G = Carry Handle: 1=No Carry Handle 2= Carry Handle

HHH = FORJ and/or Slip Ring

Example: Manual cable reel, 154mm Dia x 200mm Long drum & 400mm side plates with no brake & no handle, with a 3-channel JXn Rotary Joint, FC connectors, 1310nm, 62.5um fiber:

FCR-152040-1111-JX3FCP-SS-131-62M

Note: for motor-driven cable reels, refer to: http://www.princetel.com/leer_fcr_600.asp