

Note: More options available upon request.

STANDARD SPECIFICATIONS	
PARAMETERS	VALUES
Wavelength range	650-1650 nm
Insertion loss	<3 dB
Insertion loss ripple	<0.5 dB (typical: 0.3 dB)
Return loss (SM)	>30 dB (typical: 40 dB)
Maximum speed	2,000 rpm
Estimated life cycle	200-400 million revolutions
Working temperature	-40 to 85 C
Storage temperature	-50 to 85 C
Package style	FC receptacle (FC/APC option not available currently)
Housing material	Stainless steel
Fiber types	Single or multimode
Connector types	FC/PC
Vibration	MIL-STD-167-1A
Mechanical shock	MIL-STD-810G
IP rating	IP 68

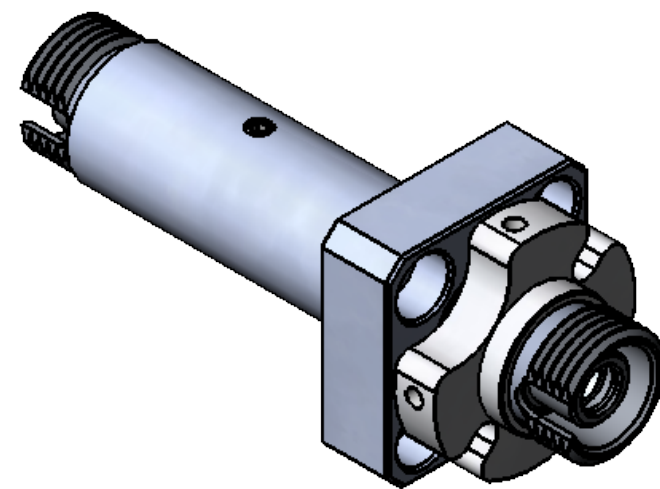
UNLESS OTHERWISE SPECIFIED:

DIMENSIONS ARE IN mm
DO NOT SCALE DRAWING

TOLERANCES:
ANGULAR: $\pm 1/2^\circ$
ONE PLACE DECIMAL ± 0.100
TWO PLACE DECIMAL ± 0.050
THREE PLACE DECIMAL ± 0.025

MATERIAL:

DATE		NAME		PRINCETEL, INC.		
DRAWN	5/27/2016	L. X.		TITLE: RFCX, FORJ		
CHECKED	5/27/2016	R. Z.				
ENG APPR.						
MFG APPR.						
Q.A.				SIZE	DWG. NO.	REV
COMMENTS: FIRST ANGLE PROJECTION				B	1072-00-AD	2
				PART NO.	-	SHEET 1 OF 1



PROPRIETARY AND CONFIDENTIAL
THE INFORMATION CONTAINED IN THIS
DRAWING IS THE SOLE PROPERTY OF
PRINCETEL, INC. ANY REPRODUCTION
IN PART OR AS A WHOLE WITHOUT THE
WRITTEN PERMISSION OF PRINCETEL,
INC. IS PROHIBITED.