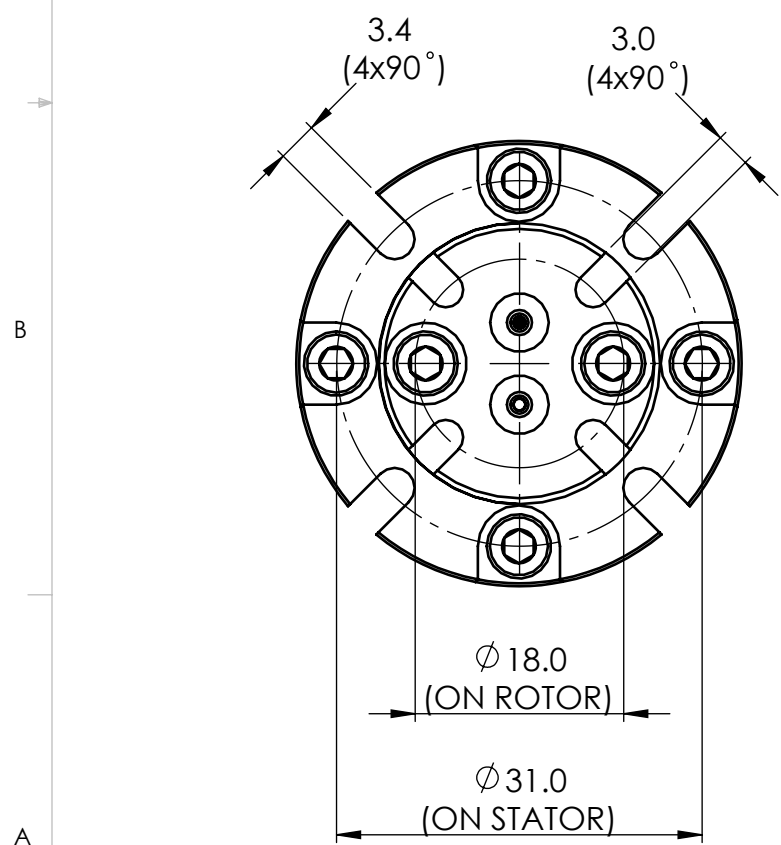


Note: More options available upon request.



STANDARD SPECIFICATIONS	
PARAMETERS	VALUES
Wavelength range	650 nm
Insertion loss	<7 dB/channel 1, <10 dB/channel 2 (premium: <7 dB)
Insertion loss WOW	<+/-1 dB/channel 1, <+/-1.5 dB/channel 2
Return loss	~40 dB
Crosstalk	>20 dB
Maximum speed	1000 rpm
Estimated life cycle	>200 million revolutions
Working temperature	-40 to 85 C
Storage temperature	-50 to 85 C
Package style	Pigtails on both ends
Housing material	Stainless steel/Aluminum
Fiber types	PMMA step index, 1 mm core/2mm jacket
Connector types	ST, FC, SC, and SMA905
Vibration	MIL-STD-167-1A
Mechanical shock	MIL-STD-810G
IP rating	IP 68

UNLESS OTHERWISE SPECIFIED:

DIMENSIONS ARE IN mm
DO NOT SCALE DRAWING

TOLERANCES:
ANGULAR: $\pm 1/2^\circ$
ONE PLACE DECIMAL ± 0.100
TWO PLACE DECIMAL ± 0.050
THREE PLACE DECIMAL ± 0.025

MATERIAL:

	DATE	NAME	PRINCETEL, INC.
DRAWN	10/5/2015	L. X.	
CHECKED	10/5/2015	R. Z.	
ENG APPR.			
MFG APPR.			
COMMENTS: FIRST ANGLE PROJECTION			TITLE:
			PJ2, FORJ
SIZE	DWG. NO.	REV	
B	1021-00-AD	3	
PART NO.		SHEET 1 OF 1	

PROPRIETARY AND CONFIDENTIAL
THE INFORMATION CONTAINED IN THIS DRAWING IS THE SOLE PROPERTY OF PRINCETEL, INC. ANY REPRODUCTION IN PART OR AS A WHOLE WITHOUT THE WRITTEN PERMISSION OF PRINCETEL, INC. IS PROHIBITED.

REVISIONS				
REV.	ZONE	DESCRIPTION	DATE	ENG. APP.
2		CHANGE ORDINATE DIMENSION START POINT	2/29/24	L.X. B.Z.
3		CORRECT CROSSTALK >20DB	7/24/24	L.X. B.Z.