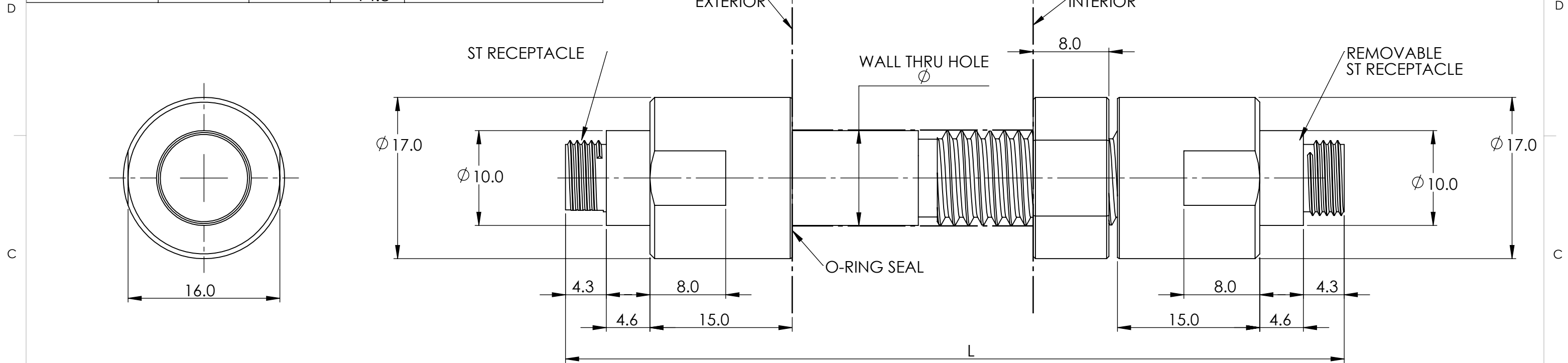


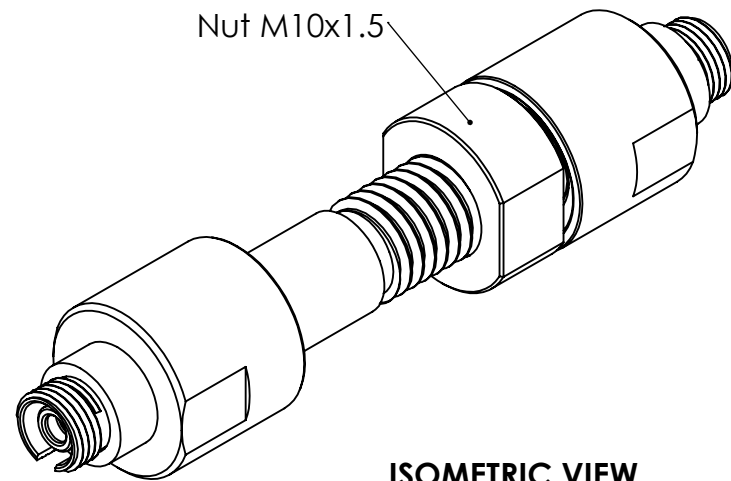
MODEL #	T (mm)	L (mm)	Φ (mm)	REMARK
FFFC12M10	1~12.7	69.8	≥10.1	SHORT
FFFC25M10	12~25.4	82.1	≥10.1	STANDARD
FFFC50M10	41~50.8	107.8	≥10.1	LONG
FFFC80M10	72.5~83	139.3	≥10.1	EXTRA LONG
FFFC25M10A	3.5~19	82.1	≥14.8	STANDARD WITH ADAPTER

REVISIONS				
REV.	ZONE	DESCRIPTION	DATE	APP.



NOTE:

- PART NUMBER CREATE :  
MODEL # - WAVELENGTH CODE - FIBER TYPE - PSI  
FFFC(##)M10(A) - ### - ## - ##k
- ALL CODE REFERENCE PLEASE SEE PRINCETEL FORJ SELECTION GUIDE.



ISOMETRIC VIEW

PROPRIETARY AND CONFIDENTIAL  
THE INFORMATION CONTAINED IN THIS DRAWING IS THE SOLE PROPERTY OF PRINCETEL, INC. ANY REPRODUCTION IN PART OR AS A WHOLE WITHOUT THE WRITTEN PERMISSION OF PRINCETEL, INC. IS PROHIBITED.

STANDARD SPECIFICATIONS

PARAMETERS	VALUES
WAVELENGTH RANGE	650~1650 nm (DEPENDENT ON FIBER TYPE)
INSERTION LOSS	<1 DB
RETURN LOSS (SM)	>30 DB (TYPICAL: 40 DB; DEPENDENT ON FLUID TYPE)
OPTICAL POWER HANDLING	23 DBM
WORKING TEMPERATURE	-40 TO 85 C
STORAGE TEMPERATURE	-50 TO 85 C
PACKAGE STYLE	FC RECEPTACLE
FIBER TYPES	SINGLE MODE OR MULTIMODE
SHAFT DIAMETER	10.0 mm
TIGHTENING TORQUE	2Nm MAX.
HOUSING MATERIAL	STAINLESS STEEL 316
PRESSURE RATING	690 BAR (10K PSI)

UNLESS OTHERWISE SPECIFIED:

DIMENSIONS ARE IN mm  
DO NOT SCALE DRAWING

TOLERANCES:  
ANGULAR: ± 1/2°  
ONE PLACE DECIMAL ± 0.100  
TWO PLACE DECIMAL ± 0.050  
THREE PLACE DECIMAL ± 0.025

MATERIAL:

DATE	NAME	PRINCETEL, INC.	
DRAWN 7/5/2023	L. X.	TITLE:	
CHECKED 7/5/2023	B. Z.	<b>FC FEED THROUGH M10 THREADED ROD</b>	
ENG APPR.		SIZE	DWG. NO.
MFG APPR.		<b>B</b>	FFFCM10-AD
Q.A.		REV	1
COMMENTS: FIRST ANGLE PROJECTION		PART NO.	SHEET 1 OF 1
		<i>SEE NOTE 1</i>	