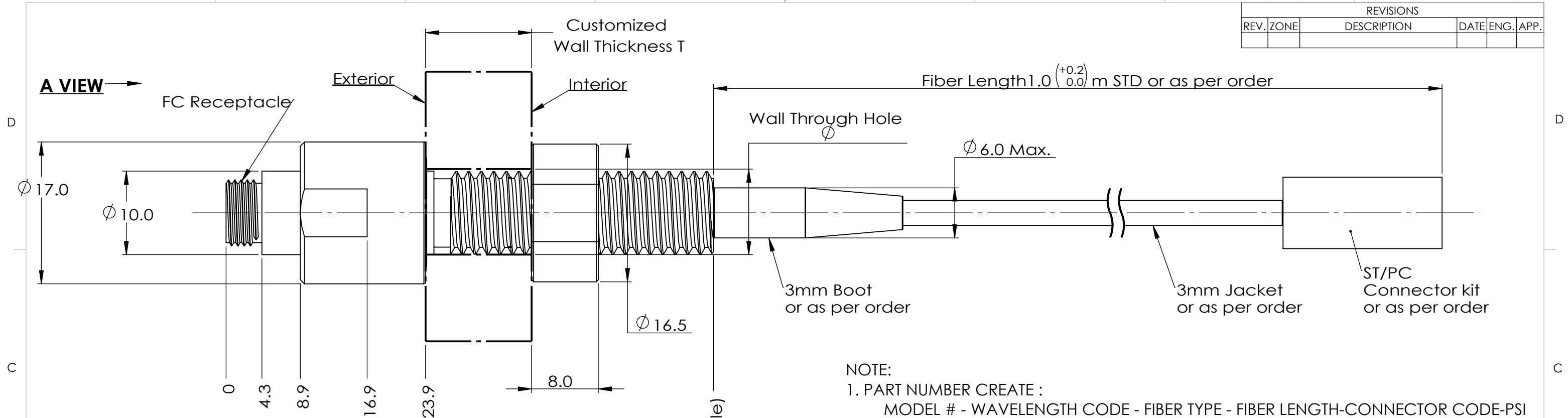
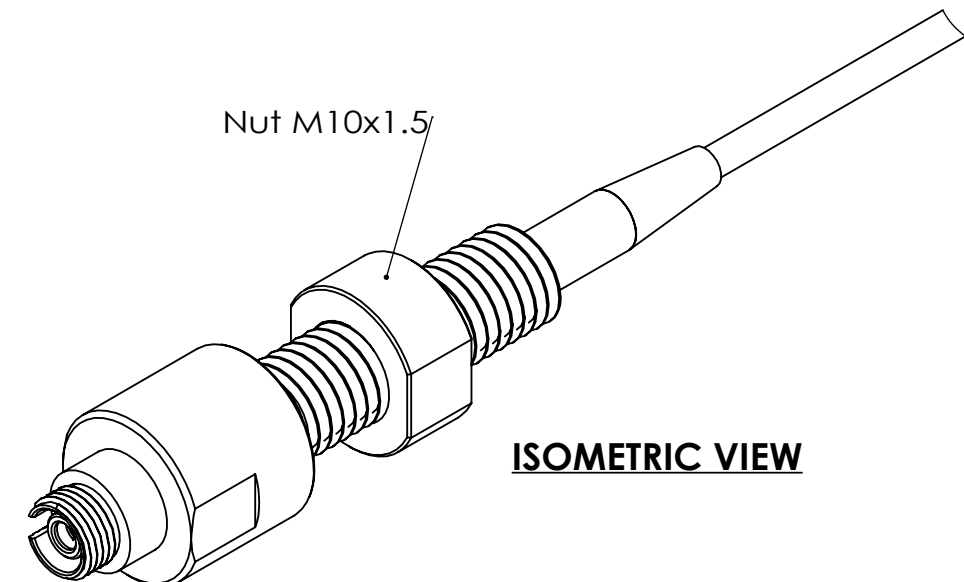
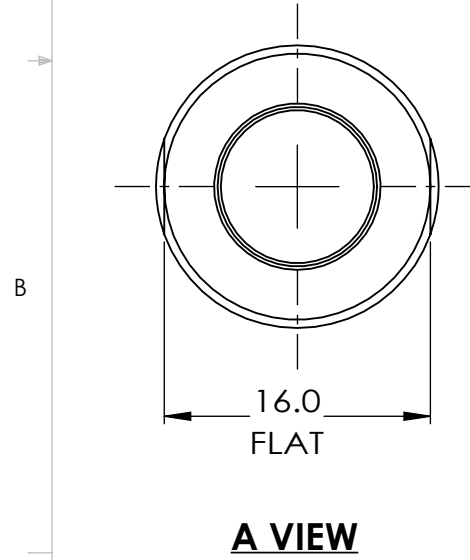


REVISIONS				
REV.	ZONE	DESCRIPTION	DATE	ENG. APP.



NOTE:
 1. PART NUMBER CREATE :
 MODEL # - WAVELENGTH CODE - FIBER TYPE - FIBER LENGTH-CONNECTOR CODE-PSI
 FFFC(##)M10-PT - ### - ## - ### - ## - ##K
 2. ALL CODE REFERENCE PLEASE SEE PRINCETEL FORJ SELECTION GUIDE.



STANDARD SPECIFICATIONS	
PARAMETERS	VALUES
WAVELENGTH RANGE	650~1650 nm (DEPENDENT ON FIBER TYPE)
INSERTION LOSS	<1 DB
RETURN LOSS (SM)	>30 DB (TYPICAL: 40 DB; DEPENDENT ON FLUID TYPE)
OPTICAL POWER HANDLING	23 DBM
WORKING TEMPERATURE	-40 TO 85 C
STORAGE TEMPERATURE	-50 TO 85 C
PACKAGE STYLE	FC RECEPTACLE/PIGTAILED HYBRID
FIBER TYPES	SINGLE MODE OR MULTIMODE
JACKET TYPES	900um, 2mm, 3mm (KEVLAR/PVC)
PIGTAIL CONNECTOR TYPES	ST, FC, SC, LC (PC AND APC)
SHAFT DIAMETER	10.0 mm
TIGHTENING TORQUE	2Nm MAX.
HOUSING MATERIAL	STAINLESS STEEL 316
PRESSURE RATING	690 BAR (10K PSI)

MODEL #	T (mm)	L (mm)	φ (mm)	REMARK
FFFC12M10-PT	1~25.5	58.4	≥ φ 10.1	SHORT
FFFC25M10-PT	12~37.5	70.7	≥ φ 10.1	STANDARD
FFFC50M10-PT	41~63.5	96.4	≥ φ 10.1	LONG
FFFC80M10-PT	72.5~95	127.9	≥ φ 10.1	EXTRA LONG
FFFC25M10A-PT	3.5~32	70.7	≥ φ 14.8	STANDARD WITH ADAPTER

PROPRIETARY AND CONFIDENTIAL
 THE INFORMATION CONTAINED IN THIS DRAWING IS THE SOLE PROPERTY OF PRINCETEL, INC. ANY REPRODUCTION IN PART OR AS A WHOLE WITHOUT THE WRITTEN PERMISSION OF PRINCETEL, INC. IS PROHIBITED.

UNLESS OTHERWISE SPECIFIED:
 DIMENSIONS ARE IN mm
 DO NOT SCALE DRAWING

TOLERANCES:
 ANGULAR: ± 1/2°
 ONE PLACE DECIMAL ± 0.100
 TWO PLACE DECIMAL ± 0.050
 THREE PLACE DECIMAL ± 0.025

MATERIAL:

DRAWN	7/5/2023	DATE	L. X.	NAME
CHECKED	7/5/2023	DATE	B. Z.	NAME
ENG APPR.				
MFG APPR.				
Q.A.				

PRINCETEL, INC.
 TITLE: **FC FEED THROUGH M10 THREADED ROD PIGTAILED HYBRID**

COMMENTS: FIRST ANGLE PROJECTION

SIZE **B** DWG. NO. **FFFCM10-PT-AD** REV **1**

PART NO. *SEE NOTE* SHEET 1 OF 1

