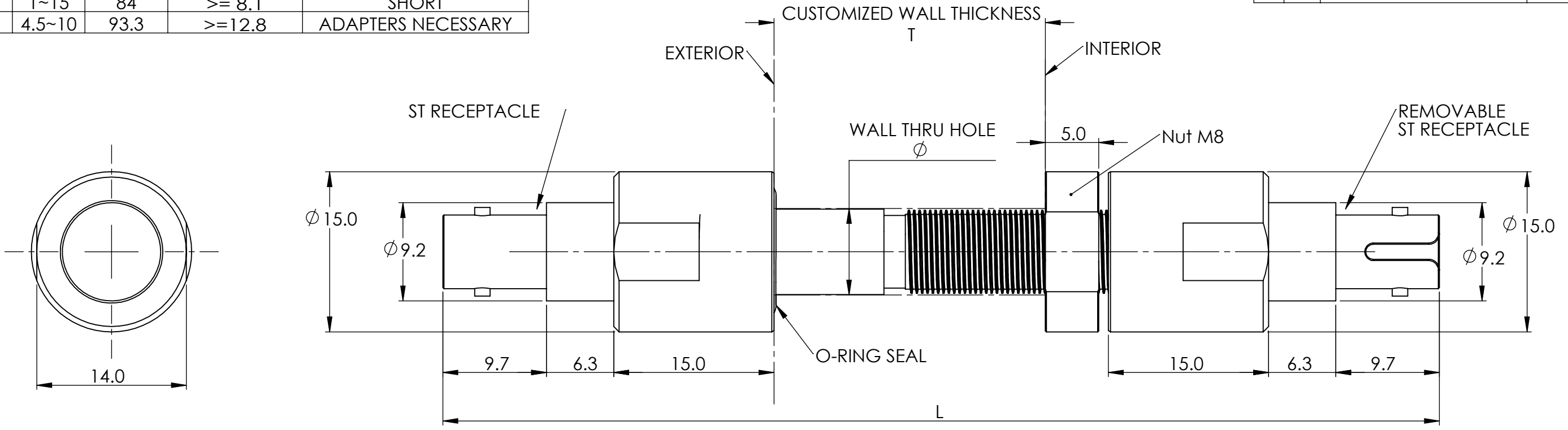


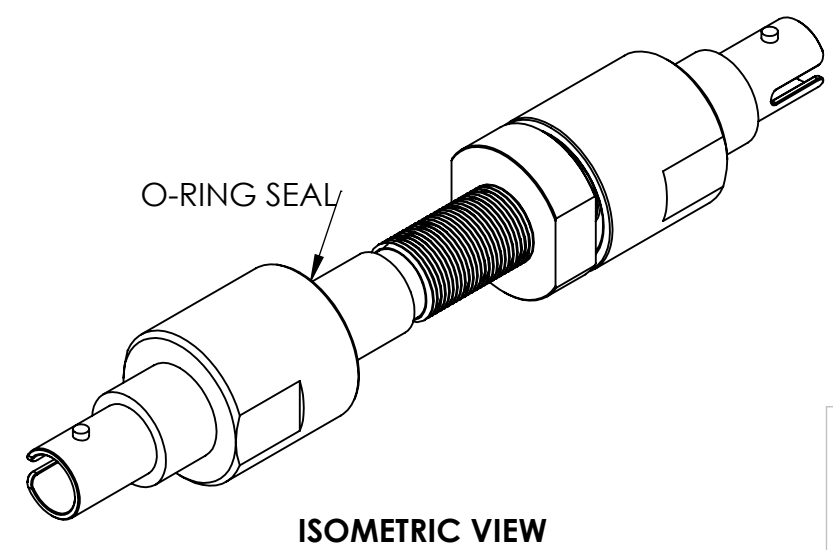
MODEL #	T (mm)	L (mm)	Φ (mm)	REMARK
FFST	12~25.4	93.3	≥ 8.1	STANDARD
FFST50	41~53	122	≥ 8.1	LONG
FFST12	1~15	84	≥ 8.1	SHORT
FFST10	4.5~10	93.3	≥ 12.8	ADAPTERS NECESSARY

REVISIONS				
REV.	ZONE	DESCRIPTION	DATE	APP.
1		CLARIFY THE WALL THICKNESS	12/2/22	L.X.
		ADD TIGHTENING TORQUE TO SPEC	5/22/23	L.X.



NOTE:

- PART NUMBER CREATE :
 MODEL # - WAVELENGTH CODE - FIBER TYPE - PSI
 FFST(##) - ### - ## - ##k
- ALL CODE REFERENCE PLEASE SEE PRINCETEL FORJ SELECTION GUIDE.



ISOMETRIC VIEW

PROPRIETARY AND CONFIDENTIAL
 THE INFORMATION CONTAINED IN THIS DRAWING IS THE SOLE PROPERTY OF PRINCETEL, INC. ANY REPRODUCTION IN PART OR AS A WHOLE WITHOUT THE WRITTEN PERMISSION OF PRINCETEL, INC. IS PROHIBITED.

STANDARD SPECIFICATIONS	
PARAMETERS	VALUES
WAVELENGTH RANGE	650-1650 nm
INSERTION LOSS	<1 DB
RETURN LOSS (SM)	>30 DB (TYPICAL: 40 DB; DEPENDENT ON FLUID TYPE)
OPTICAL POWER HANDLING	23 DBM
WORKING TEMPERATURE	-40 TO 85 C
STORAGE TEMPERATURE	-50 TO 85 C
PACKAGE STYLE	ST RECEPTACLE
HOUSING MATERIAL	STAINLESS STEEL 303
FIBER TYPES	SINGLE OR MULTIMODE
SHAFT DIAMETER	8.0 mm
TIGHTENING TORQUE	2Nm max.
DESIGNED WALL THICKNESS	1~53 mm (FFST10: ADAPTERS NECESSARY)
PRESSURE RATING	690 BAR (10,000 PSI) OR 69 BAR (1,000 PSI AND VACUUM)

UNLESS OTHERWISE SPECIFIED:		DATE		NAME		PRINCETEL, INC. TITLE: ST FEED THROUGH
DRAWN	4/12/2021	L. X.				
CHECKED	4/12/2021	B. Z.				
ENG APPR.						
MFG APPR.						
TOLERANCES:		DATE		NAME		SIZE DWG. NO. REV B FFST-AD 1
DIMENSIONS ARE IN mm DO NOT SCALE DRAWING TOLERANCES: ANGULAR: ± 1/2° ONE PLACE DECIMAL ± 0.100 TWO PLACE DECIMAL ± 0.050 THREE PLACE DECIMAL ± 0.025						
MATERIAL:		COMMENTS: FIRST ANGLE PROJECTION				PART NO. SEE NOTE 1 SHEET 1 OF 1